

# Liquid-to-Air Thermoelectric Assembly

## Model CA-045-LA-24-00

### Description

Liquid-to-Air thermoelectric assemblies are used to cool (or heat) an object via liquid. Heat dissipated by an object will be absorbed by a liquid, transferred to a liquid heat sink and pumped by Peltier-modules to a heat sink with fan to discharge the heat to the environment. The liquid circuit is normally of a recirculating type with a pump. Because no refrigerant liquid (CFC's) is used, the assemblies are friendly for our environment. The coolers operate 100% on a DC-voltage. They are ready to use and the installation is easy. Our Liquid-to-Air series is available in several cooling capacities and voltages. Because we design and build our coolers in-house, we are able to build special versions quickly. Please ask for the possibilities.



Product photo (warm side)

### Technical specifications

Cooling power (at 0°C dT)	: 46 Watt (±10%)*
Supply	: 24 VDC
Nom. current (excl. fan)	: 2,9 A
Initial current (excl. fan)	: 3,4 A
Fan(s) current at 24 VDC	: 0,15 (total)
Power consumption (nom.)	: 74 W (±10%)
Max. ambient temperature	: +48°C
Thermostat (Over Heat)	: 75°C ±5°C
Weight	: 1,3 kg
CE / RoHS 2 compliant	: yes
Packing	: Individual carton box

\* at 25°C ambient temperature



Product photo (cold side)

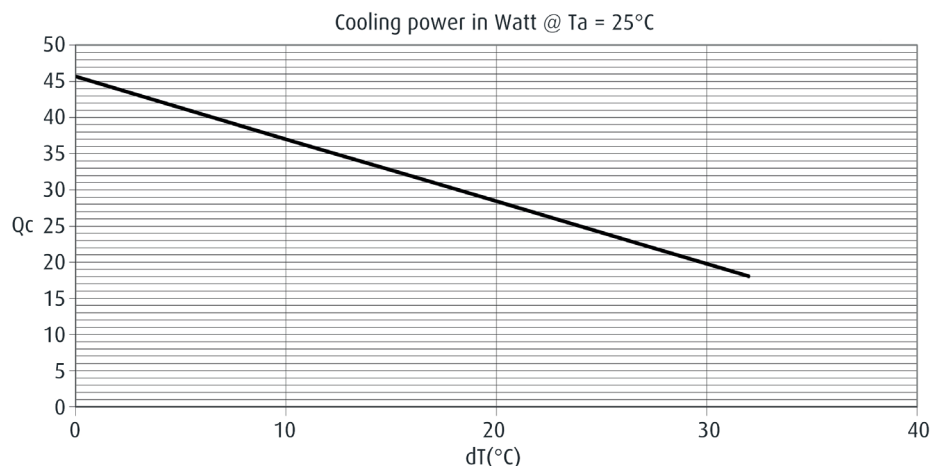
### Benefits & Application areas

#### BENEFITS

- Compact design
- High cooling capacity
- DC operation
- Easy installation
- Reliable solid-state technique

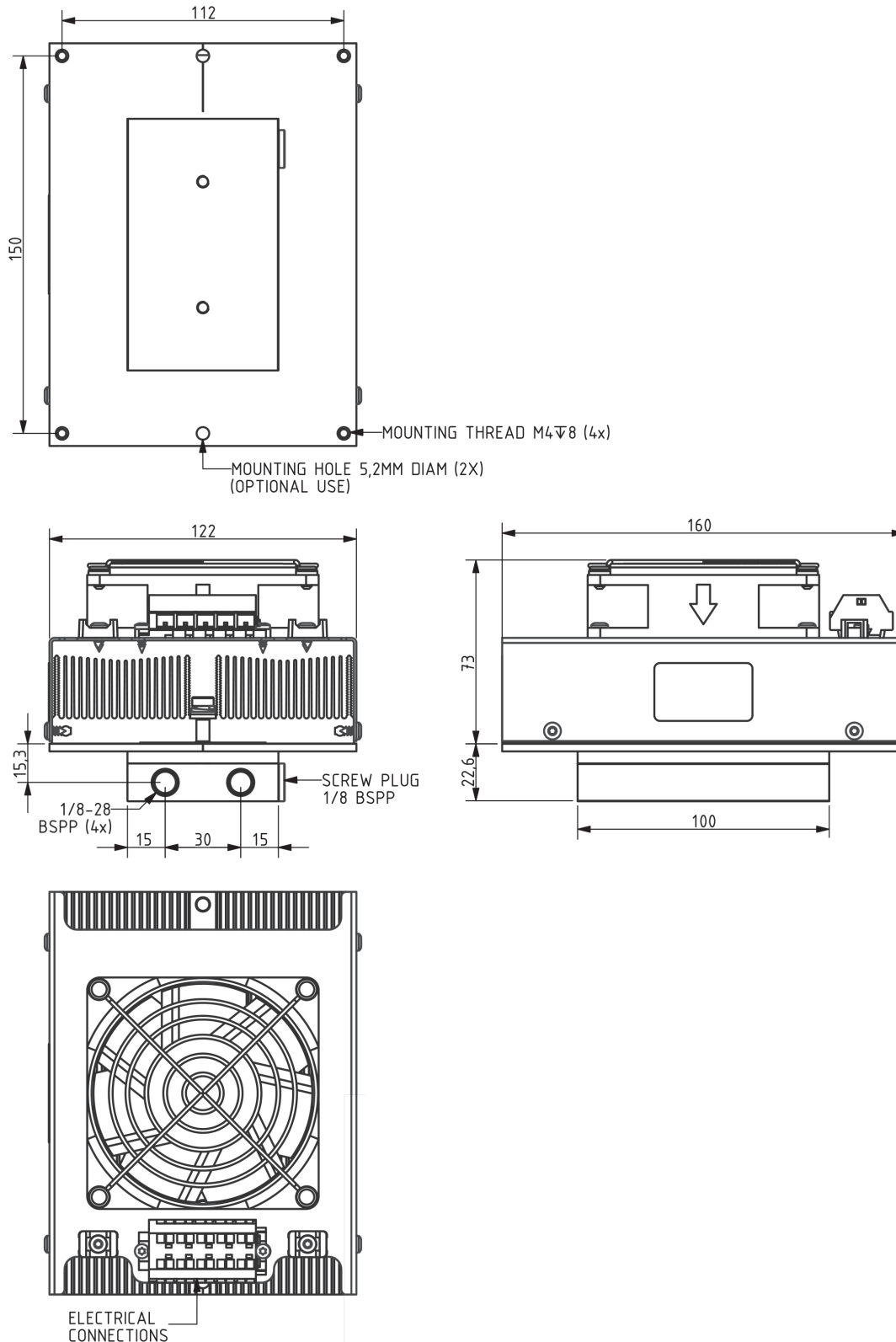
#### APPLICATION AREAS

- Laboratories
- Medical lasers
- Analytical instrumentation
- Thermal conductive enclosures
- Industrial lasers
- Semiconductor testing



All specifications are subject to change without notice.

Dimensions



All specifications are subject to change without notice.