

Direct-to-Air Thermoelectric Assembly Model CA-115-DA-12-00



Description

Direct-to-Air thermoelectric assemblies are used to cool (or heat) objects by conduction. Heat dissipated by objects will be absorbed through a cold plate and pumped by Peltier-modules to a heat sink with fan to discharge the heat to the environment. Because no refrigerant liquid (CFC's) is used, the assemblies are friendly for our environment. The coolers operate 100% on a DC-voltage. They are ready to use and the installation is easy by mounting the object with screws onto the cold plate or by clamping. Our Direct-to-Air series is available in a wide range of cooling capacities and voltages. Our standard coolers are designed for indoor use. Waterproof versions are available as well. Because we design and build our coolers in-house, we are able to build special versions quickly. Please ask for the possibilities.

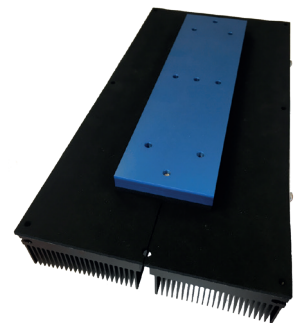


Product photo (warm side)

Technical specifications

| | |
|-----------------------------|-------------------------|
| Cooling power (at 0°C dT) | : 115 Watt (±10%)* |
| Supply | : 12 VDC |
| Nom. current (excl. fan) | : 11,0 A |
| Initial current (excl. fan) | : 13,8 A |
| Fan(s) current at 12 VDC | : 0,5 A (total) |
| Power consumption (nom.) | : 138 W (±10%) |
| Max. ambient temperature | : +47°C |
| Thermostat (Over Heat) | : 75°C ±5°C |
| Weight | : 2,9 kg |
| CE / RoHS 2 compliant | : yes |
| Packing | : Individual carton box |

* at 25°C ambient temperature



Product photo (cold side)

Benefits & Application areas

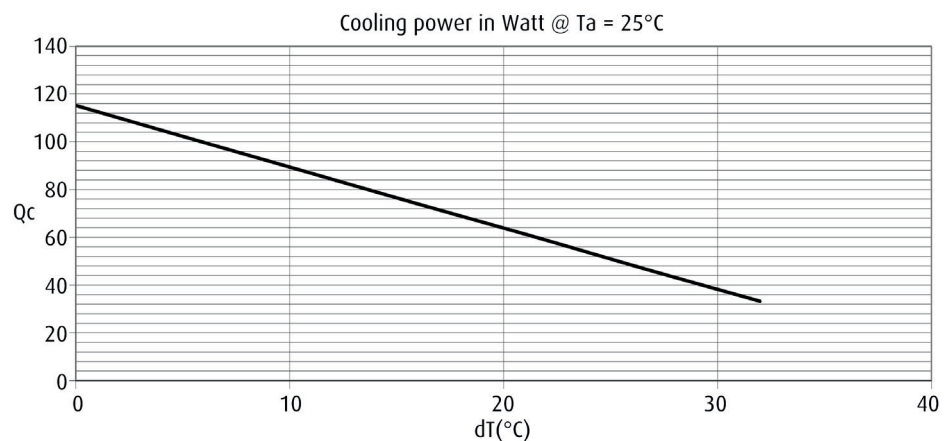
BENEFITS

- Compact design
- High density heat sink
- DC operation
- Easy installation
- Reliable solid-state technique

APPLICATION AREAS

- Industrial instrumentation
- Medical diagnostics
- Analytical instrumentation
- Thermal conductive enclosures
- Lasers
- Mini refrigerators

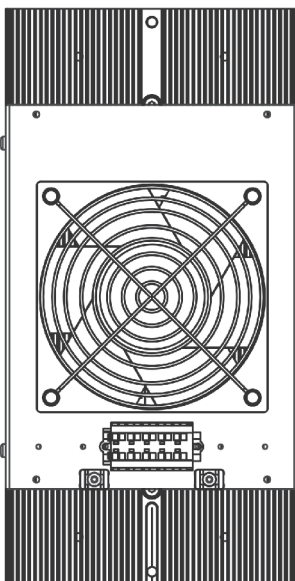
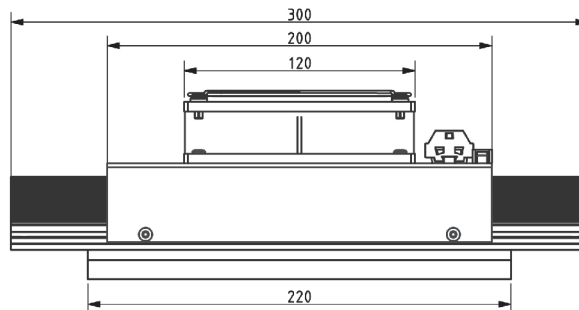
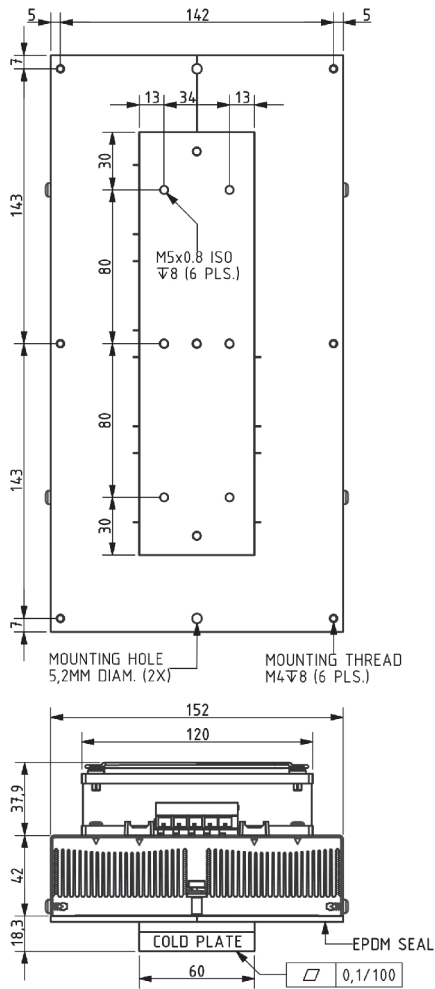
Performance graph



All specifications are subject to change without notice.

Direct-to-Air Thermoelectric Assembly Model CA-115-DA-12-00

Dimensions



All specifications are subject to change without notice.